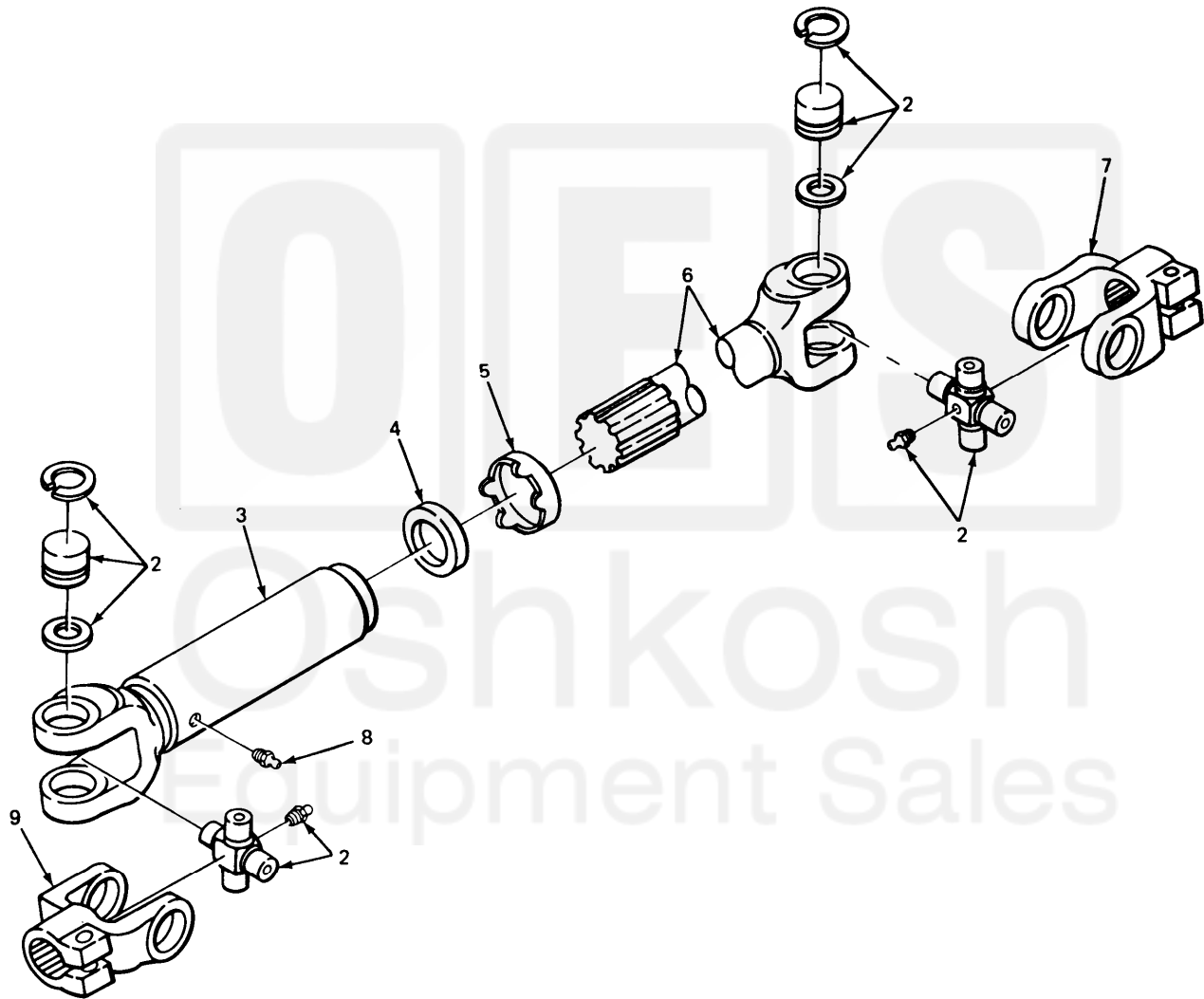


1
2 THRU 9



TA212342

FIGURE 216. STEERING SPLINED SHAFT AND RELATED PARTS.